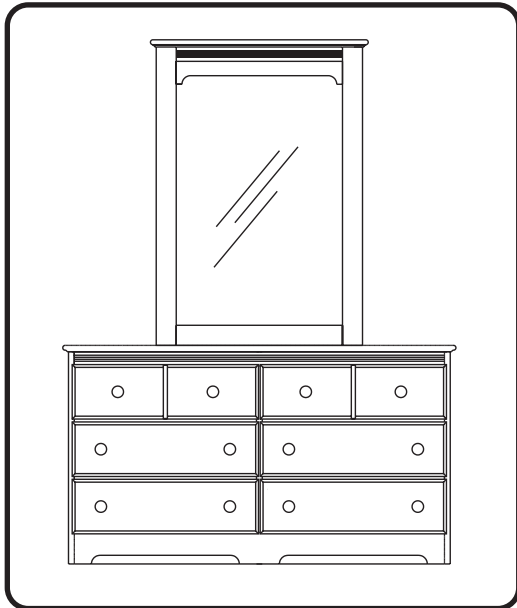




PORTRAIT MIRROR

ATLANTIC
FURNITURE

ASSEMBLY INSTRUCTIONS



PART LIST

①

MIRROR FRAME
1 PC

②

FRAME SUPPORT
2 PCS



Assembling by Adult



Allen Key

Customer Supplied



Phillips Head
Screw Driver

HARDWARE

(A)



JCB M6 X 30mm 4 PCS

(B)



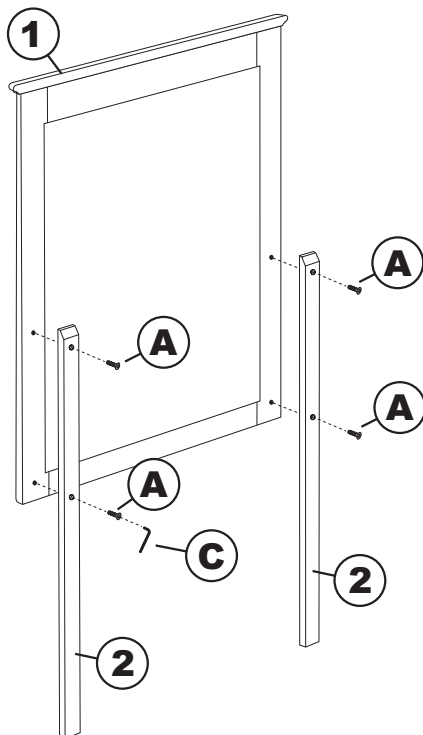
Wood Screw D8 X 1 1/4" 4 PCS

(C)



Allen Key M4 1 PC

Step 1



Attach Frame Support (2) and Mirror Frame (1), using JCB (A) tighten with the Allen Key (C).

Step 2

Attach Mirror in the center of Drawer Dresser, Fix using Wood Screw (B). Tighten with the Phillips head Screw Driver.

