

Fashion Bed Group

A Division of Leggett & Platt Incorporated

Part List For Augusta I bed

PART #333203 HARDWARE BAG FOR QUEEN & KING BEDS

- (1) 8mm X 3/4" PHILLIPS PAN HEAD SCREW-8
- (2) 5/16" ID METAL WASHER-8
- (3) 6mm X 1 1/2" FLAT ALLEN HEAD SCREW-2
- (4) 1 1/4" FLAT PHILLIPS COUNTER HEAD WOOD SCREW-8
- (5) ALLEN WRENCH 4mm
- (6) 6mm X 2 3/8" FLAT ALLEN HEAD SCREW-2

PART #333202 HARDWARE BAG FOR FULL BED

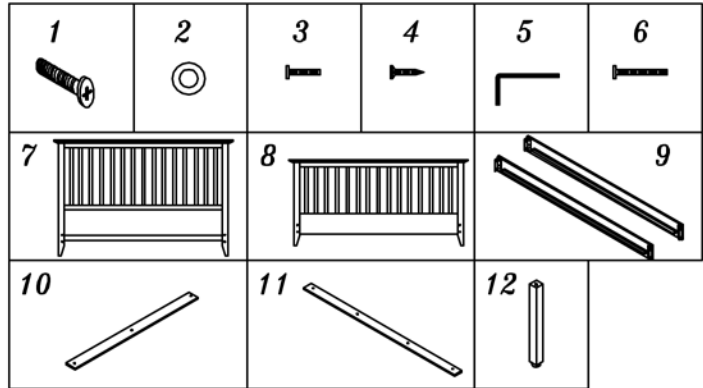
- (1) 8mm X 3/4" PHILLIPS PAN HEAD SCREW-8
- (2) 5/16" ID METAL WASHER-8
- (3) 6mm X 1 1/2" FLAT ALLEN HEAD SCREW-4
- (4) 1 1/4" FLAT PHILLIPS COUNTER HEAD WOOD SCREW-8
- (5) ALLEN WRENCH 4mm

PART #333202 HARDWARE BAG FOR FULL BED

- (1) 8mm X 3/4" PHILLIPS PAN HEAD SCREW-8
- (2) 5/16" ID METAL WASHER-8
- (4) 1 1/4" FLAT PHILLIPS COUNTER HEAD WOOD SCREW-8

PARTS ENCLOSE:

- (7) HEADBOARD-1
- (8) FOOTBOARD-1
- (9) SIDE RAILS-2
- (10) SLATS-4
- (11) CENTER SUPPORT RAIL-1(NOTE: FULL, QUEEN & KING ONLY)
- (12) SUPPORT LEG-2(NOTE: FOR KING AND QUEEN SIZES)



SAVE ALL PACKAGING MATERIALS UNTIL PRODUCT IS FULLY ASSEMBLED. HARDWARE AND SMALL PIECES MAY NOT BE SEEN AND BE ACCIDENTALLY DISCARDED WITH PACKAGING MATERIALS.

Step 1

- Place headboard (7) and side rails (9) in desire location in room.
- Secure side rails to headboard posts with screw (1) and washer (2). See Figure 1
- Tighten all screws
- Do the same for the Footboard (8) attachment.

Step 2

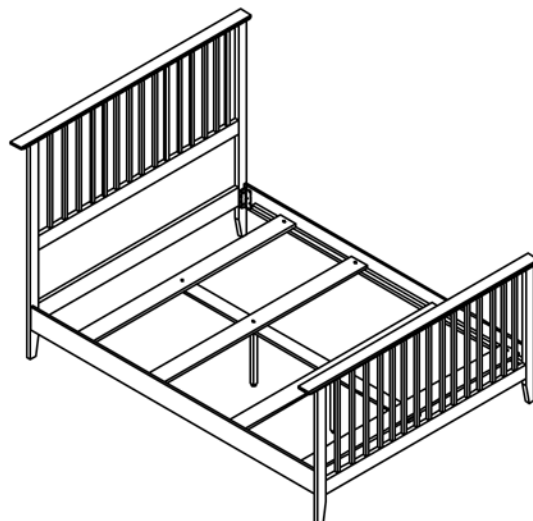
- Align support legs (12) with holes of center support rail (11) and cross rails (10). See Figure 2
- Secure legs to cross rails and center rail with screws (6).

Step 3

- Now secure other slats (10) to the top ends of center support rail (11). See Figure 3
- Secure other slats (10) with screw (3). Tighten all screws

Step 4

- Secure both ends of slats (10) to the side rails (9) with screw (4). See Figure 4
- Tighten all screws



Instruction Sheet

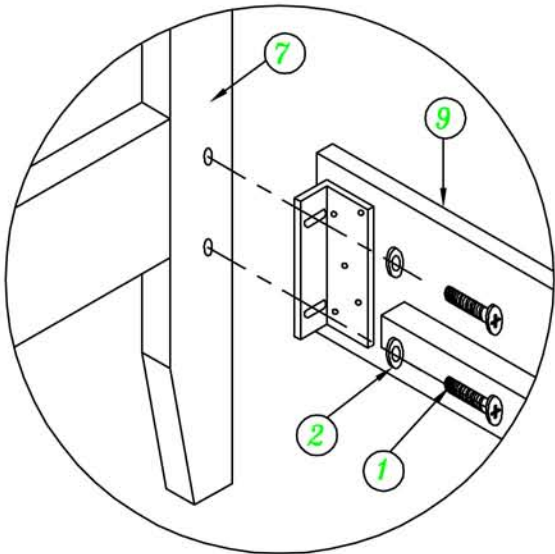


FIGURE 1

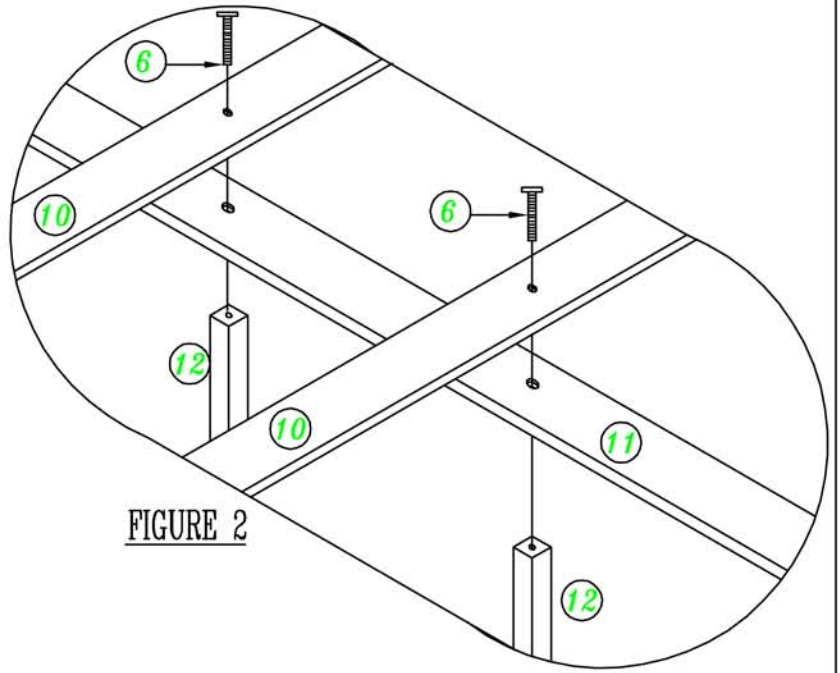


FIGURE 2

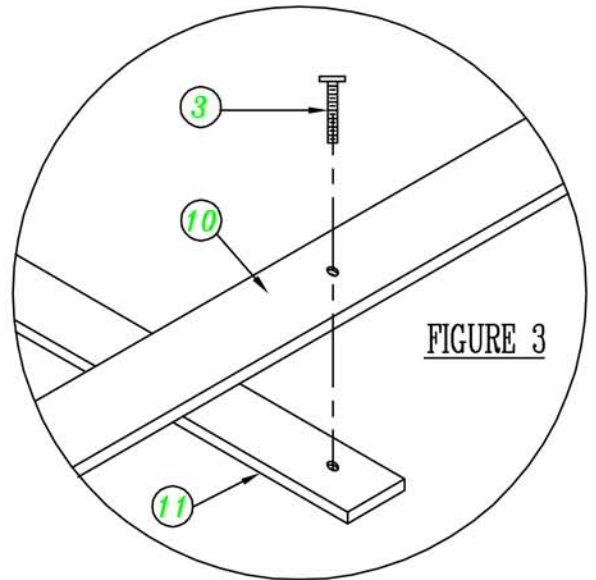
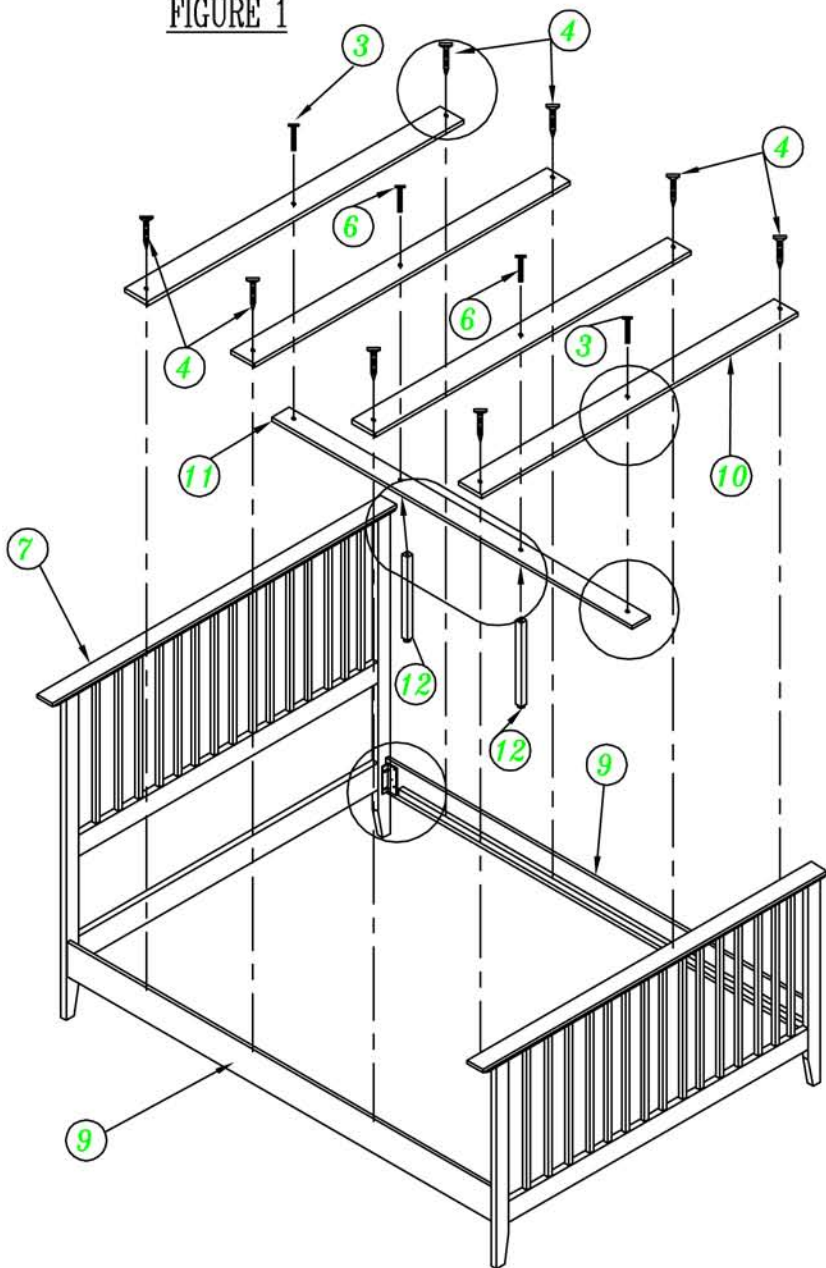


FIGURE 3

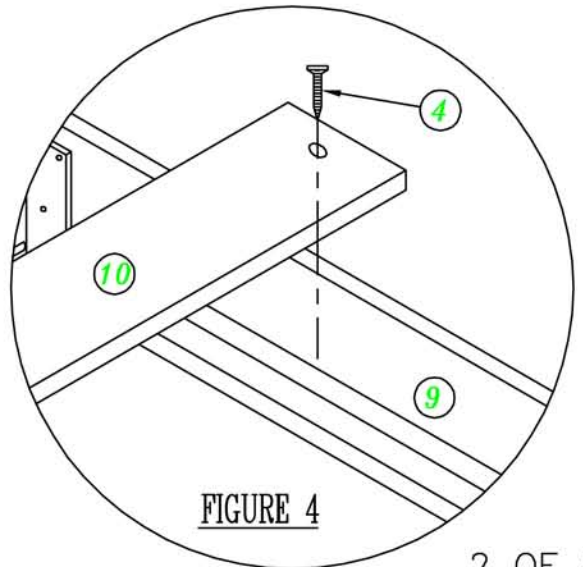


FIGURE 4

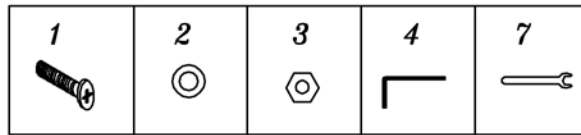
Fashion Bed Group

A Division of Leggett & Platt Incorporated

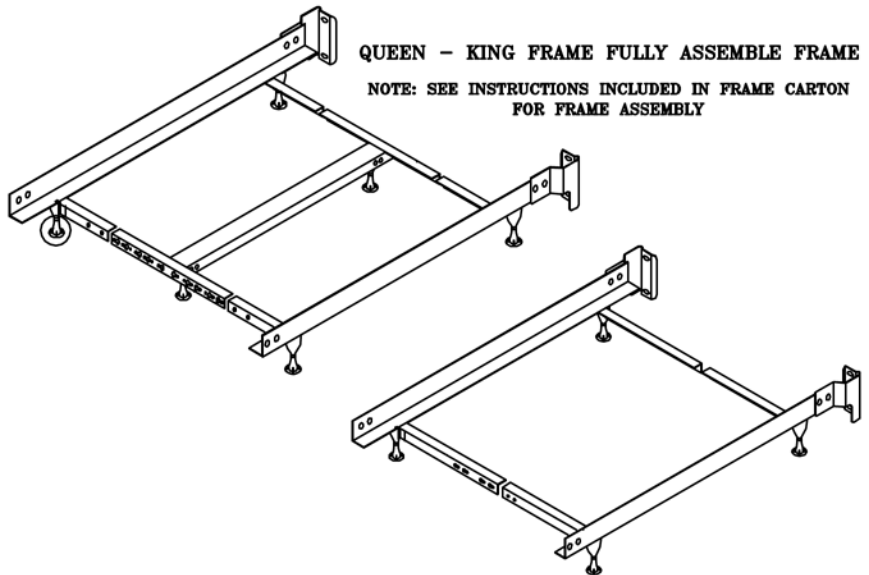
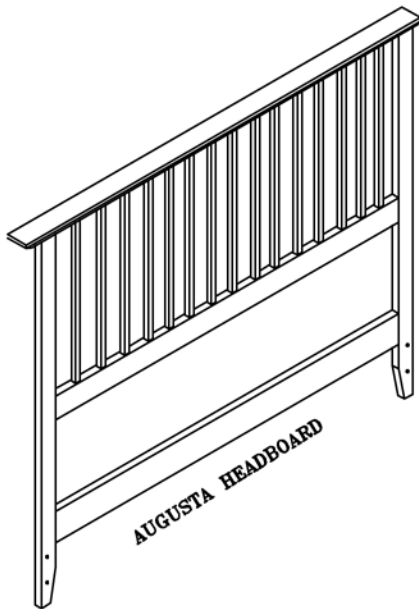
Part List For Augusta I Headboard

PART #3162H01 HARDWARE BAG FOR HEADBOARD

- (1) 6mm X 50mm ALLEN HEAD SCREW-4 BLACK
- (2) 1/4" ID METAL WASHER-8 BLACK
- (3) 6mm HEX NUT-4 BLACK
- (4) ALLEN WRENCH 4mm
- (7) OPEN WRENCH



SAVE ALL PACKAGING MATERIALS UNTIL PRODUCT IS FULLY ASSEMBLED. HARDWARE AND SMALL PIECES MAY NOT BE SEEN AND BE ACCIDENTALLY DISCARDED WITH PACKAGING MATERIALS.



Step 1

- Place headboard and frame in desire location in room.
- Secure frame bracket (6) to headboard posts (5) with screws (1), washers (2) and nuts (3). See Figure 1
- Tighten all screws
- Do the same for the other side of headboard.

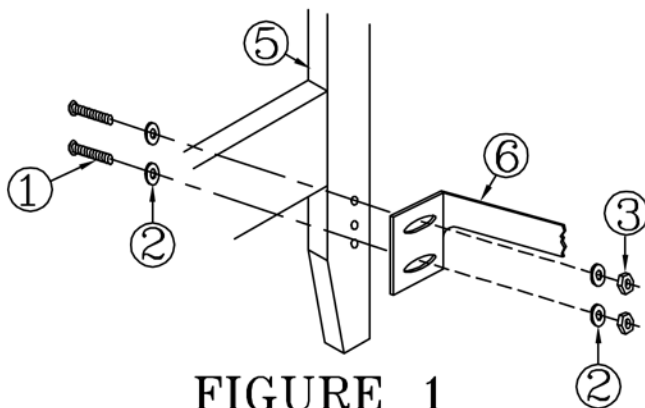


FIGURE 1