

Oscar Bed Parts List

PART #895721 HARDWARE BAG FOR FRAME MOUNTING (BED)

- (5) 1/4-20 2" SCREWS(4)
- (1) 1/4-20 1" SCREW(4)
- (7) METAL WASHERS 1/4"(ID) (8)
- (8) 1/4-20 HEX NUTS(4)
- (15) 4mm ALLEN WRENCH(1)

PART #895721112 OSCAR LEG.EXT. (GOLDEN SAND)

PART #895721141 OSCAR LEG.EXT. (BLACK)

PART #8957211 OSCAR LEG.EXT. (GOLDEN FROST)

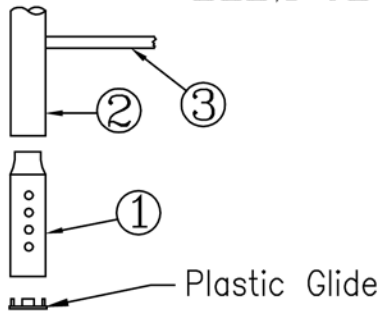
PART #8957212 OSCAR LEG.EXT. (TARNISH C.)

PART #8957213 OSCAR LEG.EXT. (PUMICE / GOLD B)

PART #301202 PLASTIC GLIDE

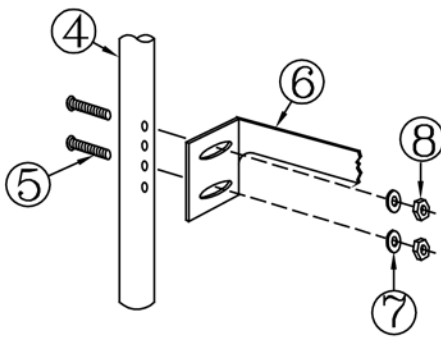
# Instruction Sheet

## To Attach Extension Legs to Headboard



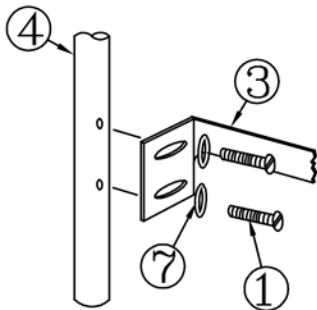
Insert plastic glide into extension leg (1)  
Carefully insert extension legs(1) into bottom of post(2) making sure the 4 holes on extension legs are perpendicular to the grill(3).

## To Attach Headboard to Frame



Using screws, washers, and nuts which are included in hardware kit, insert screws(5) thru aligned holes on post(4) and frame(6), attach washer(7) with nuts(8) and tighten.

## To Attach Footboard to Frame



Remove screws (1) and washers (7) from footboard posts. NOTE: If washers and screws are not in footboard posts, they can be found in a bag in the leg extension carton. Align holes in posts with holes in frame brackets (3). Insert screw thru washer and frame bracket into post (4). Repeat on other posts. Tighten all connections.

## Oscar Duo Parts List

PART #895723 HARDWARE BAG FOR FRAME MOUNTING

- 1 (4) 1/4-20 2" ALLEN HEAD SCREWS
- 3 (4) 1/4-20 1" ALLEN HEAD SCREW
- 4 (4) METAL WASHERS 1/4"(ID)
- 5 (4) 1/4-20 HEX NUTS
- 6 (1) ALLEN WRENCH 4 mm

PART #895721112 OSCAR LEG.EXT. (GOLDEN SAND)

PART #895721141 OSCAR LEG.EXT. (BLACK)

PART #8957211 OSCAR LEG.EXT. (GOLDEN FROST)

PART #8957212 OSCAR LEG.EXT. (TARNISH C.)

PART #8957213 OSCAR LEG.EXT. (PUMICE / GOLD B)

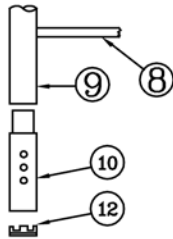
PART #301202 UNIVERSAL PASTIC GLIDE

# Fashion Bed Group

A Division of Leggett & Platt Incorporated

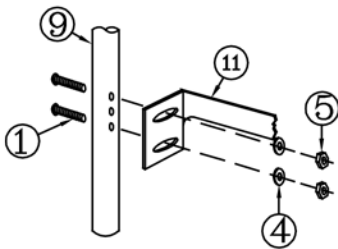
## Instruction Sheet

SAVE ALL PACKAGING MATERIALS UNTIL PRODUCT IS FULLY ASSEMBLED. HARDWARE AND SMALL PIECES MAY NOT BE SEEN AND BE ACCIDENTALLY DISCARDED WITH PACKAGING MATERIALS.



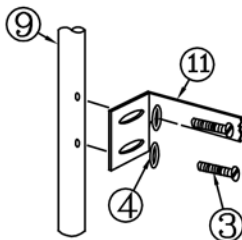
### To Attach Extension Legs to Panel

Note: Extension Legs (10) only to be used on headboard. If panel is used as footboard discard leg extensions and insert plastic glide (12) into post (9). Insert plastic glide (12) into leg ext. (10). Carefully insert extension legs(10) into bottom of post(9) making sure the 3 holes on extension legs are perpendicular to the grill(8).



### To Attach Headboard to Frame

Using screws, washers, and nuts which are included in hardware kit, insert screws(1) thru aligned holes on post(9) and frame(11). Attach washer (4) with nuts(5) and tighten.



### To Attach Panel to Frame

Remove screws (3) and washers (4) from footboard posts. NOTE: If washers and screws are not in footboard posts, they can be found in a bag in the leg extension carton. Align holes in posts with holes in frame brackets (11). Insert screw (3) thru washer (4) and frame bracket into post (9). Repeat on other post. Tighten all connections.