

Fashion Bed Group

A Division of Leggett & Platt Incorporated

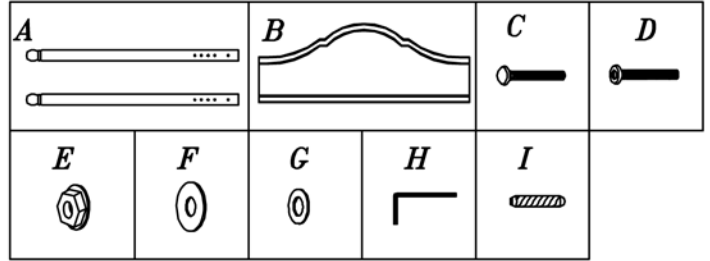
Part List For Richmond HB

PARTS IN TWIN HEADBOARD BOX:

- (A) HEADBOARD POSTS-2
- (B) HEADBOARD GRILL-1

PART #335001 HARDWARE FOR TWIN HB

- (C) 1/4-20 2 3/4" STOVE HEAD BOLT-4
- (D) 1/4-20 3" FLAT ALLEN HEAD SCREW-4
- (E) 1/4-20 HEX NUT-4
- (F) 7/8" OD RUBBER WASHER-4
- (G) 1/4" ID METAL WASHER-4
- (H) ALLEN WRENCH
- (I) WOOD DOWEL-4

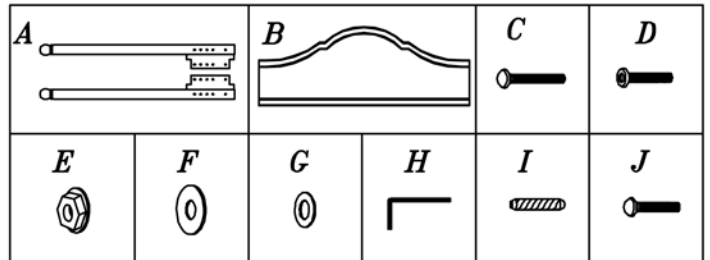


PARTS IN FULL & QUEEN HEADBOARD BOX:

- (A) HEADBOARD POSTS-2
- (B) HEADBOARD GRILL-1

PART #335002 HARDWARE FOR FULL & QUEEN HB

- (C) 1/4-20 2 3/4" STOVE HEAD BOLT-4
- (D) 1/4-20 3" FLAT ALLEN HEAD SCREW-4
- (E) 1/4-20 HEX NUT-4
- (F) 7/8" OD RUBBER WASHER-4
- (G) 1/4" ID METAL WASHER-4
- (H) ALLEN WRENCH
- (I) WOOD DOWEL-4
- (J) 1/4-20 2" STOVE HEAD BOLT-4

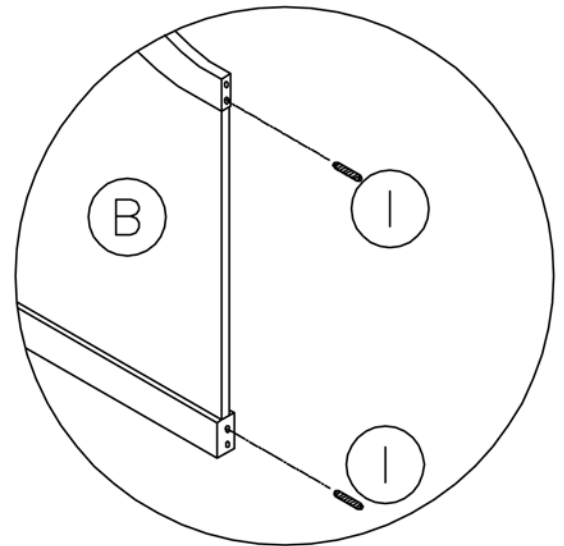
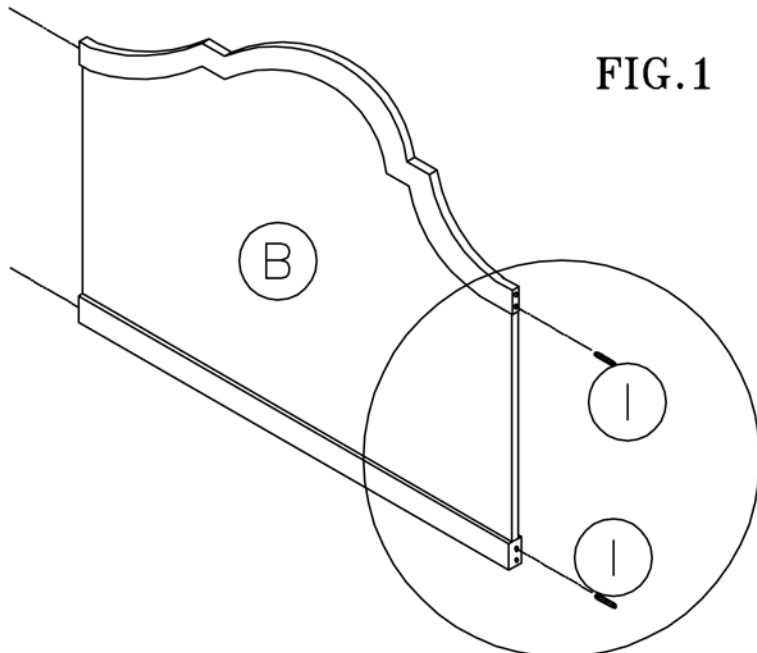


SAVE ALL PACKAGING MATERIALS UNTIL PRODUCT IS FULLY ASSEMBLED. HARDWARE AND SMALL PIECES MAY NOT BE SEEN AND BE ACCIDENTALLY DISCARDED WITH PACKAGING MATERIALS.

Step 1

Instruction Sheet

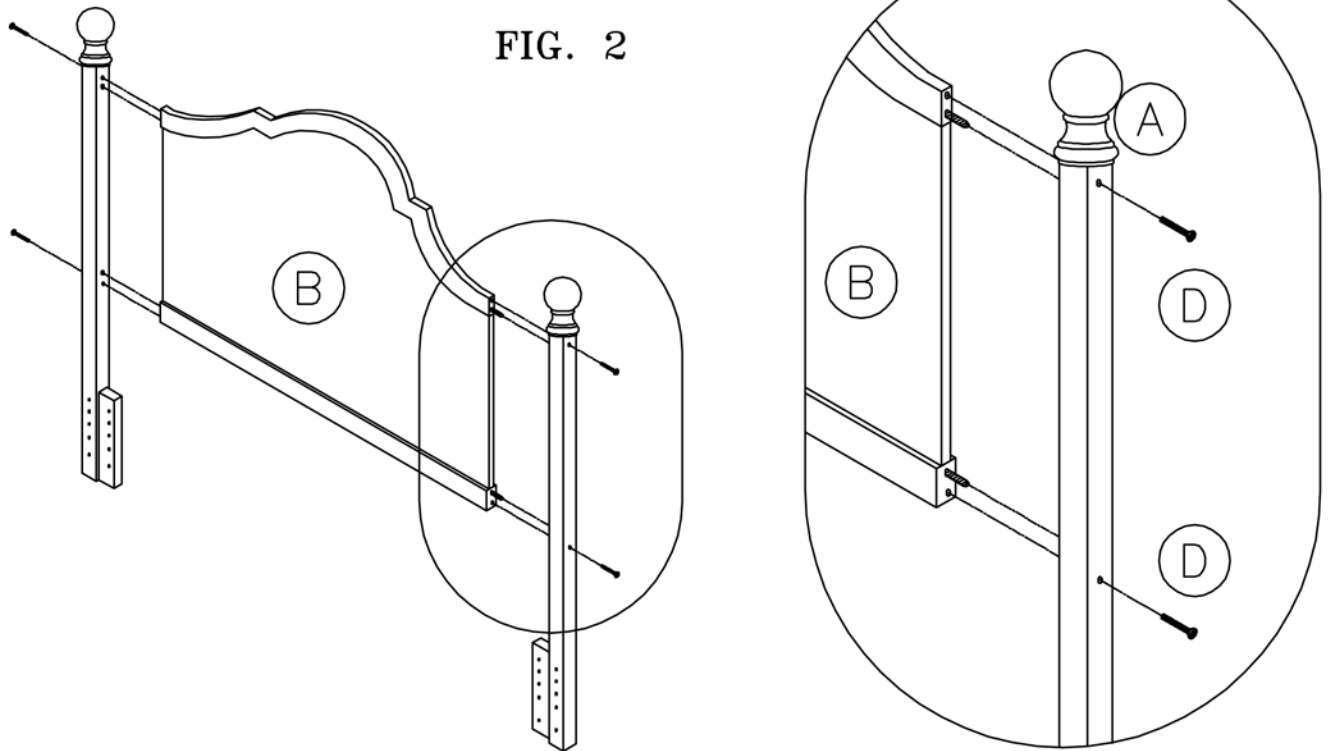
- Insert wood dowels (I) into holes in grill (B). (See Fig. 1)



Step 2

Instruction Sheet

- Secure posts (A) to the grill panel with screws (D). (See Fig. 2)
- USE WRENCH (H) TO TIGHTEN ALL SCREWS SECURELY.



Step 3

- Insert screw (C) through post (A). (See Figure 3)
- Slide rubber washers (F) over screws (C).
- Align screws in headboard panel post to holes in frame bracket. Secure screw with washers (G) and nuts (E). (See Fig. 3)
- REPEAT ON OTHER HEADBOARD POST
- TIGHTEN ALL SCREWS SECURELY.
- NOTE: FOR FULL SIZE ASSEMBLY USE SCREWS (J) THAT ARE INCLUDED IN THE HARDWARE

FIG. 3

