

Fashion Bed Group

A Division of Leggett & Platt Incorporated

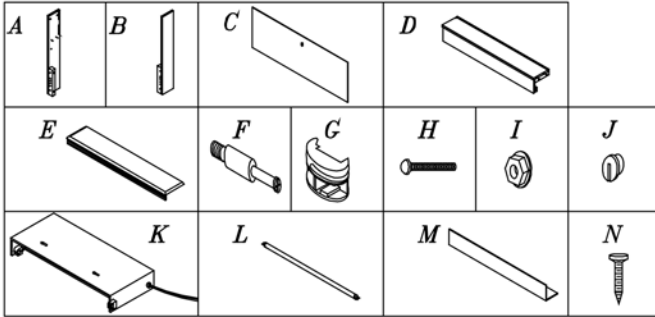
Parts List For Ashford I

PARTS IN BOX:

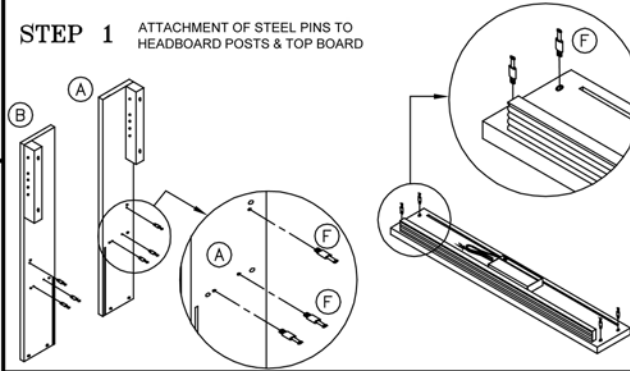
- (A) RIGHT POST-1
- (B) LEFT POST-1
- (C) BOARD-1
- (D) SHELF-1
- (E) TOP BOARD-1
- PART #332501 HARDWARE FOR HB**
- (F) 1/4-20 1 3/4" STEEL PIN-10
- (G) ALUMINUM EXTRUDED SHELF-LOCKING HOUSING-10
- (H) 1/4-20 2 1/4 SQUARE NECK CARRIAGE SCREW-4
- (I) 1/4-20 FLANGE HEX NUT-4
- (J) PLASTIC GROMMET-1
- PART #332502 LAMP UNIT (PRE-ASSEMBLED)**
- (K) BASE-1
- (L) FLUORESCENT LIGHT BULB-1
- (M) PLASTIC SHIELD-1
- (N) WOOD SCREW-2

SAVE ALL PACKAGING MATERIALS UNTIL PRODUCT IS FULLY ASSEMBLED. HARDWARE AND SMALL PIECES MAY NOT BE SEEN AND BE ACCIDENTALLY DISCARDED WITH PACKAGING MATERIALS.

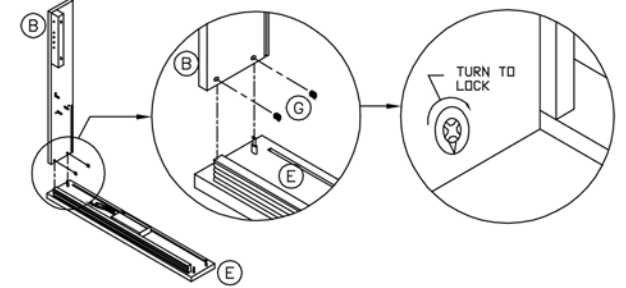
TOOLS REQUIRED:
- PHILIPS SCREW DRIVER



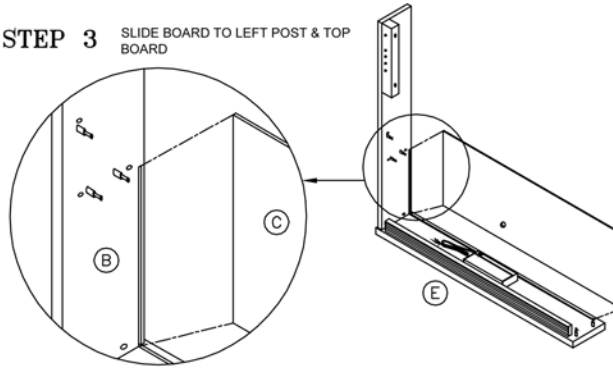
STEP 1 ATTACHMENT OF STEEL PINS TO HEADBOARD POSTS & TOP BOARD



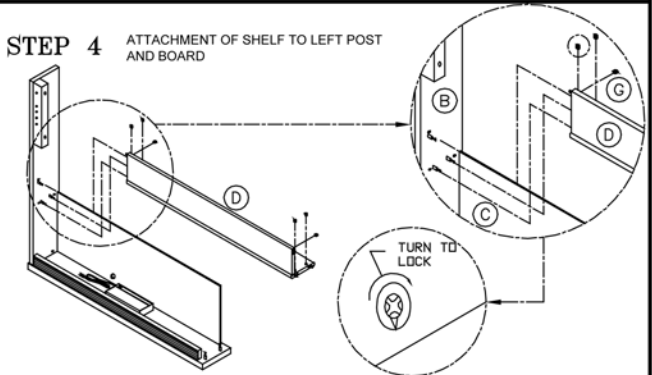
STEP 2 ATTACHMENT OF LEFT POST TO TOP BOARD



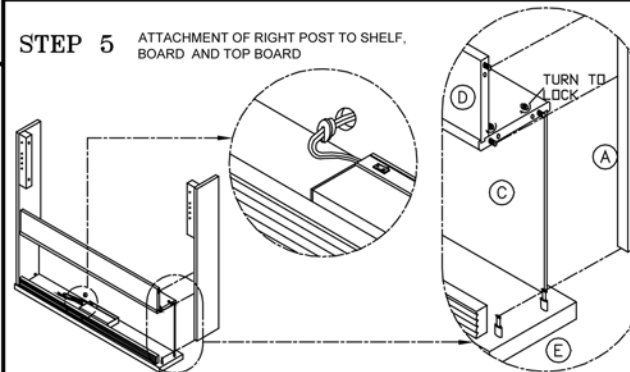
STEP 3 SLIDE BOARD TO LEFT POST & TOP BOARD



STEP 4 ATTACHMENT OF SHELF TO LEFT POST AND BOARD



STEP 5 ATTACHMENT OF RIGHT POST TO SHELF, BOARD AND TOP BOARD



STEP 6 ATTACHMENT OF FRAME TO HEADBOARD

